

# 144-122 QUANTUM®

# MANSFIELD®



Elongated Front, Pressure-Assist, Rear Outlet, Wall-Mount, Vitreous China Two-Piece Toilet

## FEATURES

- High performance, pressure-assist Flushmate III™ system
- 1.6 gpf / 6.0 lpf low water consumption
- Elongated rear outlet, wall-mount
- Model 47 chrome-plated, metal push button actuator
- 2' glazed trapway
- The Mansfield® limited lifetime warranty on china, Flushmate ten-year limited warranty on vessel
- Available in White



## COMPONENTS

MODEL #	DESCRIPTION	CODES/STANDARDS
144-122	Elongated front, rear outlet, wall-mount pressure-assist, two-piece toilet. Includes tank trim and chrome-plated, metal push button actuator. Less toilet seat and supply.	 
144	Elongated front, rear outlet, wall-mount toilet bowl only. Less toilet seat and supply.	
122	Pressure-assist tank and cover only with chrome-plated, metal push button actuator. Less supply. Specify color.	
<b>TANK OPTIONS</b>		
123RH	Pressure-assist tank and cover only with right hand chrome-plated, metal trip lever. Less supply. Specify color.	
123	Pressure-assist tank and cover only with left hand chrome-plated, metal trip lever. Less supply. Specify color.	
<b>TANK TRIM &amp; REPLACEMENT PARTS</b>		
47	Chrome-plated, metal push button actuator	
122-LID	Tank lid	
<b>FLUSHMATE® 503</b>	Pressure-assist flushing system. Separate warranty applies. Contact FLUSHMATE® at 1-800-533-3460.	



When properly installed, this product meets the requirements for the Americans with Disabilities Act of 1990 (ADA). Refer to local plumbing codes, as they may vary by location and application.

# 144-122 QUANTUM®



Elongated Front, Pressure-Assist, Rear Outlet, Wall-Mount, Vitreous China Two-Piece Toilet

## SPECIFICATIONS

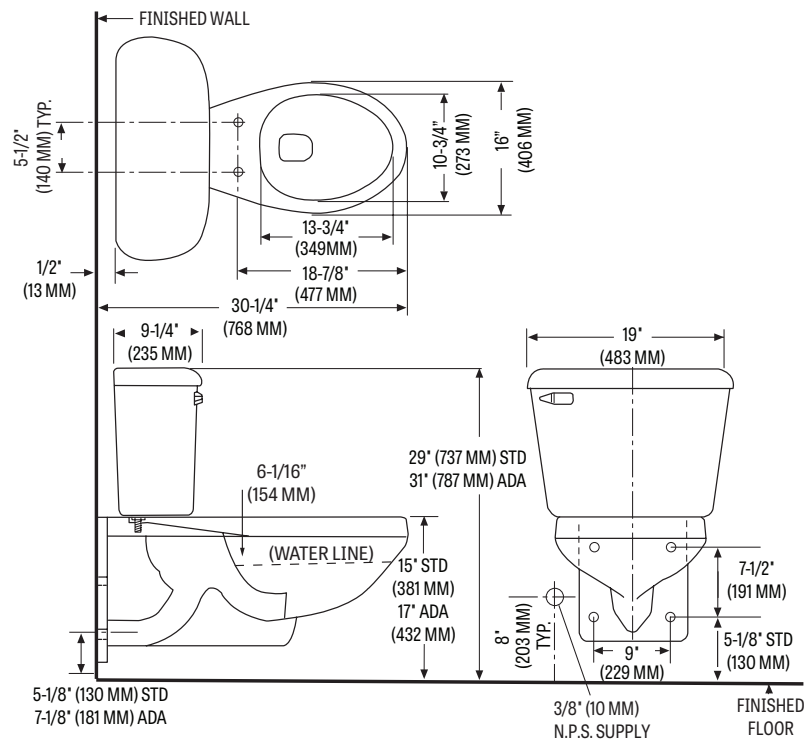
MODEL #	DESCRIPTION	CODES/STANDARDS
144-122	Elongated front, rear outlet, wall-mount (1.6 gpf / 6.0 lpf) two-piece toilet	 

<b>MATERIAL</b>	Vitreous China
<b>WATER PRESSURE RANGE</b>	35 to 80 PSI
<b>FLUSH SYSTEM</b>	Flushmate III™ flushing technology
<b>WATER USAGE</b>	1.6 gpf / 6.0 lpf
<b>WATER SURFACE AREA</b>	9-3/4" X 8"
<b>ROUGH-IN</b>	Rear outlet, wall mount
<b>MAP RATING</b>	1,000 grams

<b>TRAP DIAMETER</b>	2"
<b>TRAP SEAL</b>	2-1/8"
<b>SHIPPING WEIGHT</b>	Model 144 - 61 lbs. (27.6 kg) Model 122 - 41 lbs. (18.5 kg)
<b>WARRANTY</b>	Vitreous China - Limited Lifetime Vessel - Limited Ten Year (Flushmate)

## TECHNICAL INFORMATION

**Note:** these dimensions are nominal and subject to change without notice.



When properly installed, this product meets the requirements for the Americans with Disabilities Act of 1990 (ADA).

Refer to local plumbing codes, as they may vary by location and application.

Fixture performance and specifications meet or exceed ASME A112.19.2-2013/CSA B45.1-13 standards, and other state and local codes.